



PN25 Ball Valve :

PN is mostly used in European standard systems such as DIN, EN, BS, ISO and number behind “PN” is an integer number denoting pressure classes, approximately equivalent to normal temperature pressure Mpa. For valves with carbon steel bodies, PN refers to the maximum allowable working pressure when applied below 200°C; For cast iron body, it was maximum allowable working pressure when applied below 120°C; For stainless steel valve body, it was maximum allowable working pressure for service below 250°C. When operating temperature increases, meanwhile the valve body pressure decreases. Commonly used PN pressure range is (unit of Bar): PN2.5, PN6, PN10, PN16, PN25, PN40, PN63, PN100, PN160, PN250, PN320, PN400.

PN25 Ball Valve Price List India :

Product	Price Per Unit (INR)
Pn25 Ball Valve 1/2 NPT P/N 7510F8Y (SPARES FOR PIPING SYSTEM)	2,571
Pn25 Ball Valve ISO 2-WAY 1-1/4	1,882
Ball Valve 3-Way 1-1/4 Pn25	2,144
22s Ball Valve M/25	2,053
Pn25 Gbc 22s Ball Valve M/25	2,053
Pn25 18s Ball Valve M/25 (P/F Mfg Of Ups) (74 Pcs)	3,535
(12611-21032) Ball Valve Iso 2-Way 1-1/4 D-25ss (100 Pcs)	1,882
Ss316 Pn25 Ball Valve 3 Pcs Screwed Bsp Female Ends Size 25mm	611
Ball Valve Iso 2-Way OD: 1-1/2" = 25ss PN25	1,645

PN25 Brass Ball Valve Specifications :

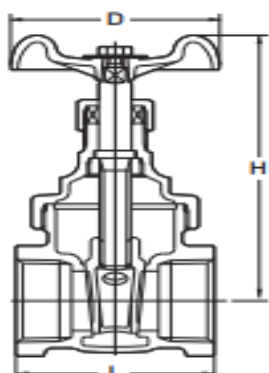
Material	Brass
Size (in or mm)	1/4", 3/8", 1/2", 3/4", 1", 1 1/4", 1 1/2", 2"
Fitting	BSPP
Manufacturer	RIV

PN25 Ball Valve Pressure Rating :

Pressure-Temperature Ratings [bar]									
Temp. [°C]	O-Ring / Seat Material	DN15–DN50		DN65–DN100		DN125 – DN200		DN250 – DN300	
		1.0619	1.4408	1.0619	1.4408	1.0619	1.4408	1.0619	1.4408
38	All STD Materials	25		25		25		25	
140	H-NBR Max	22,24	23,16	22,24	23,16	22,24	23,16	18,33	
200	FKM Max FKM-LT Max	20,80	21,0	18,75		14,0		8,33	
250	H-PTFE Max	0		0		0		0	

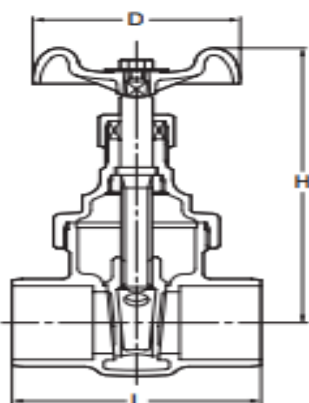


PN25 Ball Valve Dimensions : (Type 1)



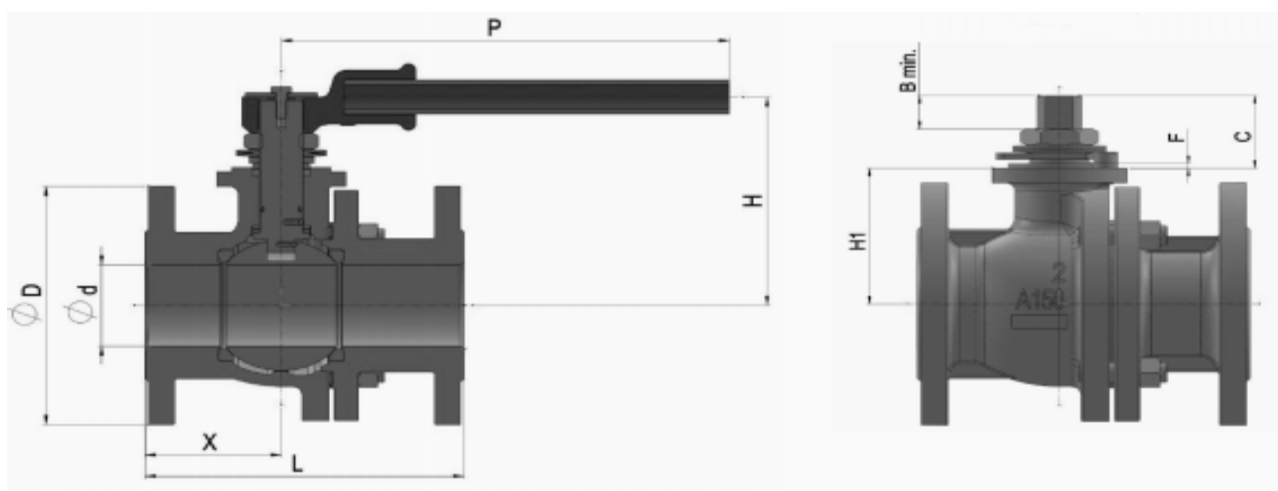
Nominal Size	NPS	1/2	3/4	1	1 1/4	1 1/2	2
	DN	15	20	25	32	40	50
L Threaded end to end		45	50	57	61	67	74
H Height		80	90	105	118	135	159
D Handwheel diameter		50	55	60	70	80	90

Type 2 :



Nominal Size	NPS	1/2	3/4	1	1 1/4	1 1/2	2
	DN	15	20	25	32	40	50
L		46	61	72	78	87	102
H Height		80	90	105	118	135	159
D Handwheel diameter		50	55	60	70	80	90

PN25 Ball Valve Size :



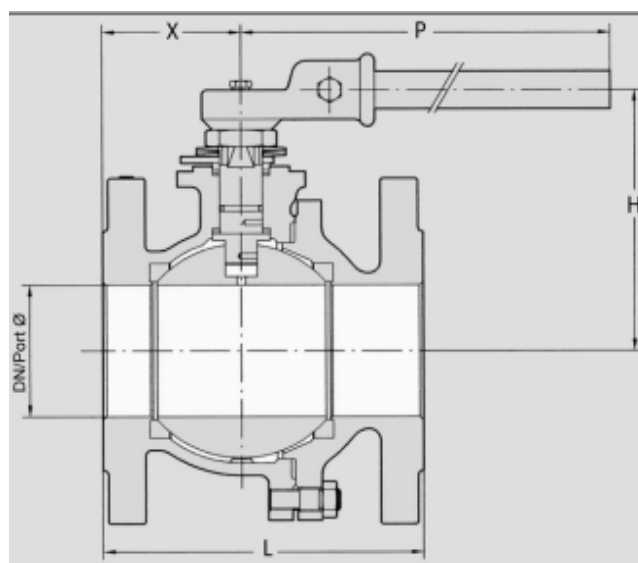


PN 25 / PN 40															
Size	General Dimensions [mm]												Kv	Weight [Kg]	
mm	Ød	ØD	L		X	P	H	A	G	J	M	ISO 5211	[m ³ /h] [bar]	Short	Long
			Short	Long											
DN15	14	95	115	130	50	150	85	10	6	36	M5	F03	17	2,6	2,8
DN20	19	105	120	150	52	150	90	10	6	36	M5	F03	39	3,3	3,6
DN25	25	115	125	160	55	150	104	12	8	50	M6	F05	63	4,3	4,5
DN32	32	140	130	180	58	200	116	14	9	50	M6	F05	104	6,5	6,7
DN40	38	150	140	200,5	60	200	118	14	9	50	M6	F05	150	7,8	7,9
DN50	51	165	150	230	60	250	128	24	19	70	M8	F07	254	11,9	12,5
DN65	65	185	170	290	75	250	138	24	19	70	M8	F07	381	15,5	16,5
DN80	76	200	180	310	78	250	148	24	19	70	M8	F07	971	21	23
DN100	95	220	190	350	85	500	190	36	22	102	M10	F10	1560	34,5	40,2
DN125	111	250	325	400	162,5	750	199	36	22	102	M10	F10	2173	47	54
DN150	144	285	350	480	175	750	223	36	22	102	M10	F10	4046	75,5	85
DN200	190	340	400	-	200	-	Gear Ø50	-	-	140	M16	F14	8787	185 ¹⁾	-
DN250	241	405	450	-	225	-	Gear Ø50	-	-	140	M16	F14	14452	250 ¹⁾	-
DN300	285	460	500	-	250	-	Gear Ø65	-	-	165	M20	F16	22893	370 ¹⁾	-

The Conversion Table Between Mpa and Bar :

0.05(0.5)	0.1(1.0)	0.25(2.5)	0.4(4.0)	0.6(6.0)	0.8(8.0)
1.0(10.0)	1.6(16.0)	2.0(20.0)	2.5(25.0)	4.0(40.0)	5.0 (50.0)
6.3(63.3)	10.0(100.0)	15.0(150.0)	16.0(160.0)	20.0(200.0)	25.0(250.0)
28.0(280.0)	32.0(320.0)	42.0 (420.0)	50.0(500.0)	63.0(630.0)	80.0(800.0)
100.0(1000.0)	125.0(1250.0)	160.0(1600.0)	200.0(2000.0)	250.0(2500.0)	335.0(3350.0)

PN25 Ball Valve Dimensions :





Valve Size DN	Port	L		X	P	H	ISO 5211	Cv (m ³ /h)	Torque (N.m)		Weight (Kg)			
											PN10-16		PN25-40	
		Short	Long						PN16	PN40	Short	Long	Short	Long
15	14	115	130	50	150	85	F03	17	5	8	2,6	2,8	2,6	2,8
20	19	120	150	52	150	90	F03	39	6	8	3,3	3,6	3,3	3,6
25	25	125	160	55	150	104	F05	63	8	10	4,3	4,5	4,3	4,5
32	32	130	180	58	200	116	F05	104	15	20	6,5	6,7	6,5	6,7
40	38	140	200	60	200	118	F05	150	20	25	7,8	7,9	7,8	7,9
50	51	150	230	60	250	128	F07	254	25	35	11,9	12,5	11,9	12,5
65	65	170	290	75	250	138	F07	381	40	50	15	16,1	15,5	16,5
80	76	180	310	78	250	148	F07	971	60	90	20	22,5	21	23
100 ⁽¹⁾	102	190	350	95	500	196	F10	1560	120	175	33	39,6	34,5	41
125 ⁽²⁾	111	325	400	162.5	500	199	F10	2173	150	220	46	-	47	-
150	144	350	480	175	750	223	F10	4046	250	350	73	80	75,5	85
200	190	400	-	200	-	<small>Gear operation</small>	F14	8787	500	750	175 ⁽⁴⁾	-	185 ⁽⁴⁾	-
250 ⁽³⁾	241	450	-	225	-	<small>Gear operation</small>	F14	14452	1000	1400	230 ⁽⁴⁾	-	250 ⁽⁴⁾	-
300	285	500	-	250	-	<small>Gear operation</small>	F16	22893	1500	2000	305 ⁽⁴⁾	-	370 ⁽⁴⁾	-

PN25 Ball Valve Standard :

No.	Parts	Standard
		PN 10 - 16 - 25 - 40
1	Body	DIN 1.4408
4	Body Connector	DIN 1.4408
5	Antistatic Stem	ASTM A479 Type 316
6	Gland Ring	ASTM A479 Type 316
8	Stop Pin	DIN 267/11 A2-70
9	Stop Plate	Steel nickel plated
11	Gland Washer	DIN 1.4122 (SS)
12	Nut	DIN 267/11 A2-70
17	Stud Bolt-Bolt* ⁵	DIN 267/11/ A2-70 / 267/3 zinc plated
18	Nut* ⁵	DIN 267/11/ A2-70 / 267/3 zinc plated
21	Ball* ¹	ASTM A479 Type 316 / 1.4408
22	Ball Seat	PTFE
24	Body Seal* ³	PTFE / 316L+Flexite®
25	Gland Packing* ²	PTFE+C+Graphite / PTFE
26	Stem Seal* ⁴	PTFE+C+Graphite / PTFE
30	Handle	SS+Plastic
31	Handle head	GGG40
32	Handle bar	GGG40
33	Handle bar bolt	Stainless Steel
35	Bolt	Stainless Steel
36	Washer	Stainless Steel
40	Stem O'ring	FKM



DN50 Pn25 Ball Valve



Ball Valve PN25 DN25



Ball Valve Dn32 Pn25



Ball Valve Dn80 Pn25



PN 25 CW617N Brass Ball Valves



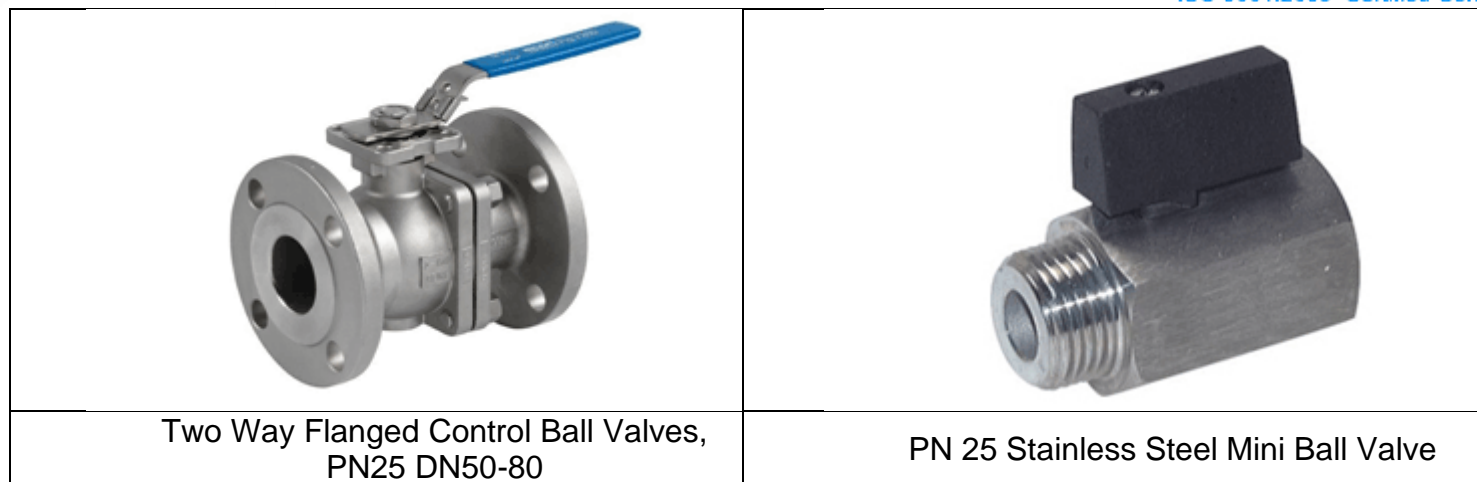
PN25 Brass Ball Valve









Full Bore Brass Ball Valve For Water PN 25



Gas Ball Valve, Brass, PN 25 2" DN 50



PN 25 Pressure Reducing Valves Standard:

Useable for ...	Steam	•	•	•	•		
	Water and other liquids	•	•	•		•	•
	Oil	•	•	•		•	•
	Gases ¹⁾	•	•	•		•	•
	District heating						
Connections	Female thread				•	•	
	Welding ends						
	Threaded ends						
	Flanges	•	•	•			• ⁵⁾
Valve size	NPS	½ to 4	6 to 10	6 to 10			
Thread size	NPT				½ to 1 NPT	½ to 1 NPT	½ to 2
Pressure rating	Class	125 to 300	125 to 300	125 to 300	250	250	150 ⁴⁾
Perm. temperature, max. °F		660	660	660	390	300	266
Set point ranges	psi	0.075 to 230	0.75 to 35	14.5 to 400	3 to 290	3 to 290	5 to 90
Body material	Red brass (C83600)				•	•	
	Cast iron (A126B)	•	•	•			
	Cast steel (A216 WCC)	•	•	•			
	Stainless steel (A351CF8M)	•	•	•	•	•	• ³⁾
Type		41-23	2422/2424	2333 ²⁾	44-0 B	44-1 B	2371-11
Data Sheet		T 2513 EN	T 2548 EN	T 2554 EN	T 2629 EN	T 2627 EN	T 2640 EN
							



PN25 Excess Pressure Valves Standard :

Useable for ...	Steam	•	•	•	•	
	Water and other liquids	•	•	•	•	•
	Oil	•	•	•	•	•
	Gases ¹⁾	•	•	•	•	•
	District heating					
Connections	Female thread				•	
	Welding ends					• ⁵⁾
	Threaded ends					
	Flanges	•	•	•		• ⁵⁾
Valve size	NPS	½ to 4	6 to 10	6 to 10		
Thread size	NPT				½ to 1 NPT	½ to 2
Pressure rating	Class	125 to 300	125 to 300	125 to 300	250	150 ⁴⁾
Perm. temperature, max.	°F	660	660	660	390	266
Set point ranges	psi	0.075 to 230	0.75 to 35	14.5 to 400	3 to 290	5 to 90
Body material	Red brass (C83600)				•	
	Cast iron (A126B)	•	•	•		
	Cast steel (A216 WCC)	•	•	•		
	Stainless steel (A351CF8M)	•	•	•	•	• ³⁾
Type		41-73	2422/2425	2335 ²⁾	44-6 B	2371-00/-01
Data Sheet		T 2518 EN	T 2550 EN	T 2554 EN	T 2627 EN	T 2642 EN
		