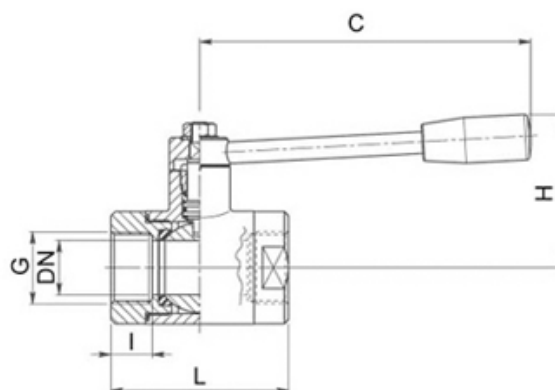




NPT Ball Valve Price In India :

Size	Price
BALL VALVE 1/4 NPT FEMALE SERIES 2000	3,620
BALLS,SS 1/4TUBE 1/8 NPT OUTLET PART-18496	6,836
BALL VALVE,2 NPT, LOW PRESSURE, CP90	3,664
, 2, FULL PORT, BRASS BODY, 150# STEAM FEMALE NPT	6,357
BALL VALVE , 1 IN NPT BRASS 600 PSI WOG 150 PSI WSP FULL PORT	673
BALL VALVE, 3/8 IN NPT FEMALE 600 WOG 150 WSP BRASS	236
BALL VALVE, 3/8, BRASS BODY, FULL PORT, 150 LBS STEAM, 600 LBS WOG, FEMALE NPT	312
VALVE, BALL 3/8 IN NPT FEMALE 600 WOG150 WSP BRASS	514

NPT Ball Valve Dimensions :

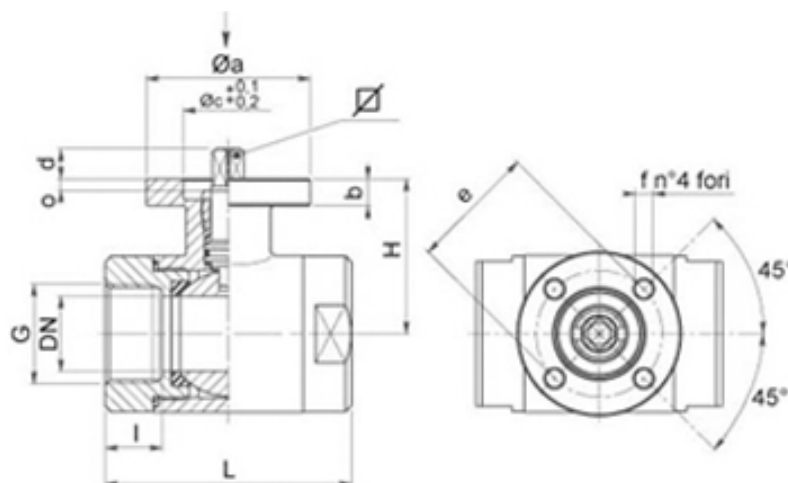


G	DN	LL	I	C	H	PN	Kg
1/4"	9	52	13	110	50	64	0,34
3/8"	10	52	13	110	50	64	0,32
1/2"	15	62	16	110	55	64	0,44
3/4"	20	72	18	110	60	64	0,62
1"	25	82	19	160	65	40	1,10
1"1/4	32	92	20	160	70	40	1,35
1"1/2	40	104	20	190	80	40	2,33
2"	50	116	20	190	90	25	3,42
2"1/2	65	136	26	220	110	25	-
3"	80	160	28	285	130	25	-



4"	100	192	30	310	150	25	-
----	-----	-----	----	-----	-----	----	---

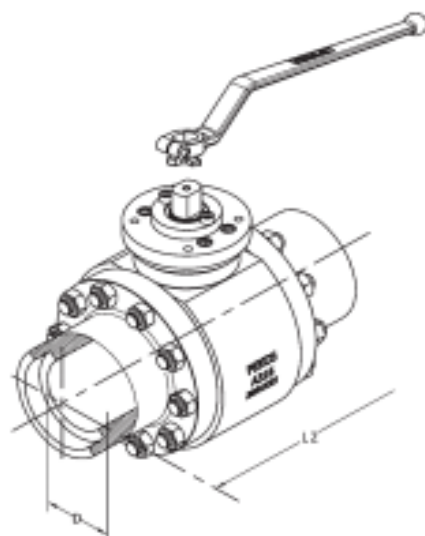
NPT Ball Valves with Flange Dimensions :



G	DN	L	I	H	PN	Kg	ISO-DIN	$\varnothing a$	b	$\varnothing c_{x\varnothing}$	SQ	d	e	f	n°4 bolts	Nm
1/4"	9	52	13	39	64	0,35	F.03	46	9	25x3	9	8	36	6	M5x16	5
1/4"	9	52	13	39	64	0,39	F.04	54	9	30x3	11	10	42	6	M5x16	5
3/8"	10	52	13	39	64	0,34	F.03	46	9	25x3	9	8	36	6	M5x16	5
3/8"	10	52	13	39	64	0,38	F.04	54	9	30x3	11	10	42	6	M5x16	5
1/2"	15	62	16	41,5	64	0,45	F.03	46	9	25x3	9	8	36	6	M5x16	8
1/2"	15	62	16	41,5	64	0,50	F.04	54	9	30x3	11	10	42	6	M5x16	8
3/4"	20	72	18	45	64	0,66	F.03	46	9	25x3	9	8	36	6	M5x16	12
3/4"	20	72	18	45	64	0,68	F.04	54	9	30x3	11	10	42	6	M5x16	12
1"	25	82	19	51,5	40	0,90	F.04	54	9	30x3	11	10	42	6	M5x16	15
1"	25	82	19	51,5	40	0,95	F.05	65	9	35x3	14	13	50	7	M6x16	15
1"1/4	32	92	20	56,5	40	1,30	F.04	54	9	30x3	11	10	42	6	M5x16	18
1"1/4	32	92	20	56,5	40	1,34	F.05	65	9	35x3	14	13	50	7	M6x16	18
1"1/2	40	104	20	76	40	2,31	F.05	65	12	35x4	14	13	50	7	M6x20	25
1"1/2	40	104	20	76	40	2,48	F.07	90	12	55x4	17	15	70	9	M8x20	25
2"	50	116	20	84	25	3,40	F.05	65	12	35x4	14	13	50	7	M6x20	30
2"	50	116	20	84	25	3,56	F.07	90	12	55x4	17	15	70	9	M8x20	30
2"1/2	65	136	26	94,5	25	-	F.07	90	12	55x4	17	15	70	9	M8x20	45
2"1/2	65	136	26	94,5	25	-	F.10	125	12	70x4	22	18	102	11	M10x25	45
3"	80	160	28	106	25	-	F.07	90	12	55x4	17	15	70	9	M8x20	70
3"	80	160	28	106	25	-	F.10	125	12	70x4	22	18	102	11	M10x25	70
4"	100	192	30	120	25	-	F.07	90	12	55x4	17	15	70	9	M8x20	80
4"	100	192	30	120	25	-	F.10	125	12	70x4	22	18	102	11	M10x25	80



NPT Ball Valve Weight :



NPS	Class 150	Class 300	Class 600	Class 900	Class 1500	Class 2500
2"	12	25	30	45	49	115
3"	25	37	63	105	110	208
4"	37	77	108	165	182	340
6"	116	138	232	380	390	712
8"	199	239	415	640	650	1859
10"	387	437	659	952	960	2817
12"	516	729	880	1312	1320	3892
14"	688	928	1400	1595	1320	-
16"	890	1200	1696	1692	2360	-
18"	1700	1550	2994	2755	-	-
20"	2100	2200	3475	3752	-	-
24"	3550	3730	5200	-	-	-



NPT Vs BSP Ball Valve :

BSP (BSPT) :

- British Standard Pipe Taper.
- BSP threads are widely used in many other countries.
- NPT threads are slightly from those of British Standard Pipe.
- differences in their thread forms.
- Have a 55° angle and have rounded peaks and valleys.

NPT :

- National Pipe Taper.
- Common in the US and in few other countries.
- Outside diameters of American National Pipe are different.
- Differences in their thread forms.
- Have a 60° angle and have flattened peaks and valleys.

Ball Valve NPT vs BSP Thread :

Size	Pitch (Threads per Inches)	
	NPT	BSP
1/8	27	28
1/4	18	19
3/8	18	19
1/2	14	14
3/4	14	14
1	11 ½	11
1 ¼	11 ½	11
1 ½	11 ½	11
2	11 ½	11
2 ½	8	11
3	8	11
3 ½	8	11
4	8	11
5	8	11
6	8	11



2 Npt Ball Valve



1 Npt Ball Valve



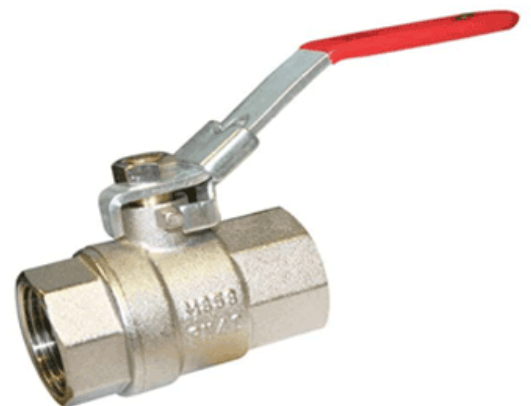
Male Npt Ball Valve



Parker Npt Ball Valve



Bronze Npt Ball Valve



Brass Npt Ball Valve



Npt Ball Check Valve



Valve Ball 1 Npt 2000 Cwp



Ball Valve Npt
Male Female



1/2 Npt Stainless Steel 3
Piece Ball Valve



3 Way Npt Ball Valve



Ball Valve 800# Npt